

Smart Masonry Systems

"Featuring" Smart-Sleeves™

Tapered Hole Form for concrete slabs and walls

- ✓ **New Lower Cost** - New high volume multi-cavity molds reduce manufacturing costs
- ✓ **New Tapered & Terraced Design** - Terraced at one inch increments allowing for easier removal than traditional sleeves
- ✓ **New Non-Stick Additive** - Reduces concrete adhesion

Uses: **Masons, Electricians & Plumbers** form round, smooth holes thru concrete slabs or walls to receive floor to floor rebar, conduit & pipes

Specs: Molded with high density polyethylene & proprietary non-stick additives

Dimensions: 8" height x 3 inch or 4 inch diameter tapered to 3-1/2 or 4-1/2 inches @ flange
Stack 2 or more to increase height
Easily cut with knife to reduce height

Shipping:

- 3" x 8" boxed 100 each = 26 lbs
- 4" x 8" boxed 60 each = 23 lbs

Available from Dealers only

- 3" x 8" Smart Sleeves: Product # 3SS100
Box size: 25" x 12" x 31"
- 4" x 8" Smart Sleeves: Product # 4SS60
Box size: 25" x 12" x 31"

Manufacturer: Smart Masonry Systems, Inc.

masonrystore@aol.com

800-525-4744 Fax 866-255-9807

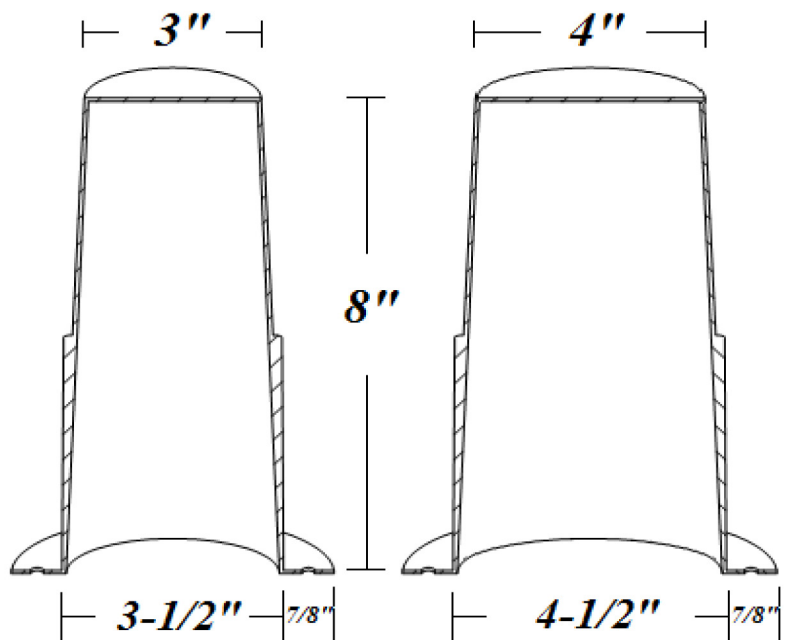
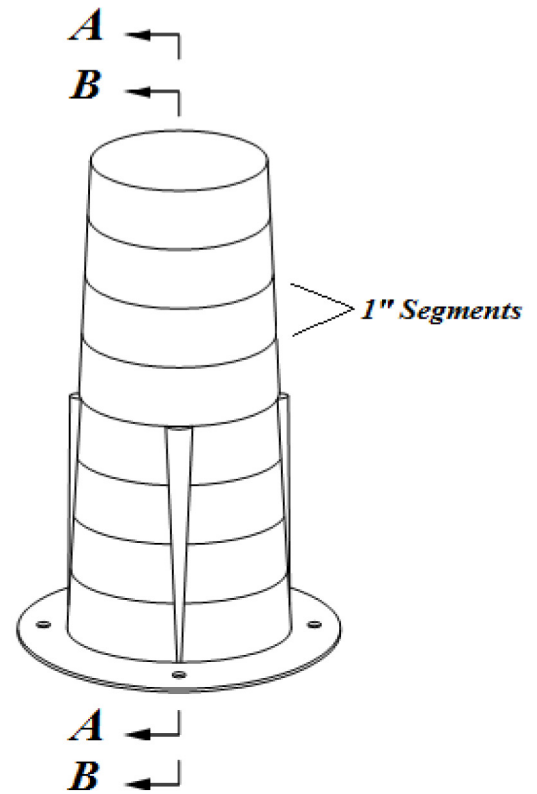


Fig. A - 3" Sleeve

Fig B - 4" Sleeve